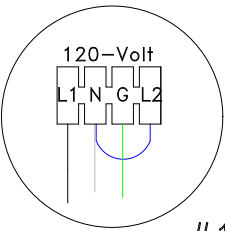
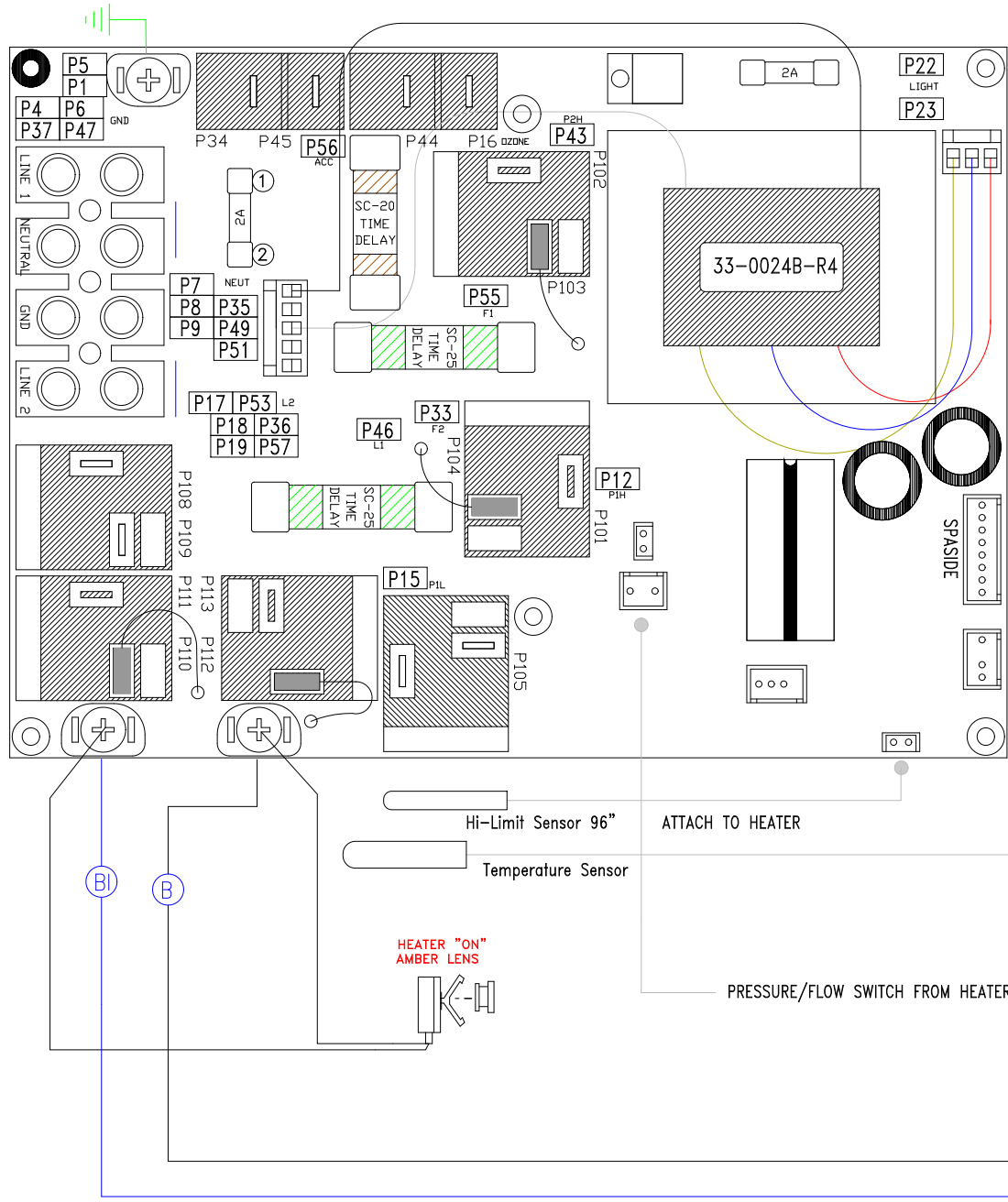
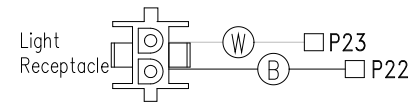
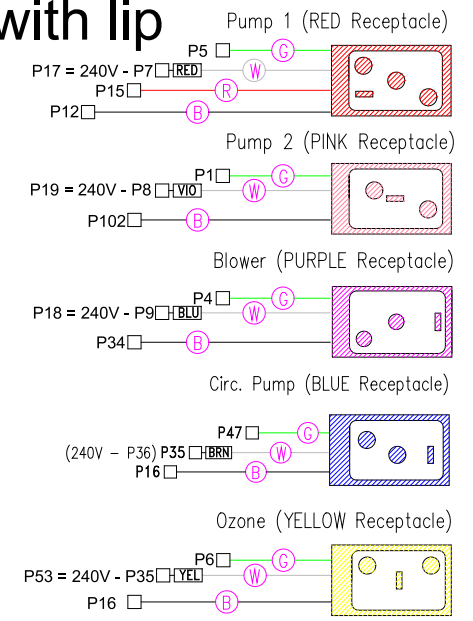
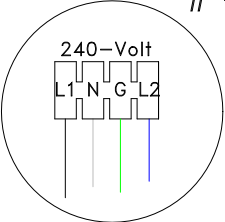


# Receptacles

## with lip



#1



Hi-Limit Sensor 96"

ATTACH TO HEATER

Temperature Sensor

HEATER "ON" AMBER LENS

PRESSURE/FLOW SWITCH FROM HEATER

LEGEND	
[ ]	- 1/4" QUICK CONNECT
[ ]	- 1/4" QUICK CONNECT PIGGYBACK
[ ]	- FORK CONNECTOR
[ ]	- RING CONNECTOR
[ ]	- SOCKET CONNECTOR
[ ]	- PIN CONNECTOR

Manufacture Notes:

#1: Line 2 and Neutral must be jumpered for 120V sevice

Drawn	Rev	Wire Color Code	
MBS	01	B - Black	G - Green
Date	08.19.09	Br - Brown	Bl - Blue
Diagram No.	6840	R - Red	V - Violet
		O - Orange	W - White
		Y - Yellow	Gr - Gray